

Frameless Construction

1 Box Construction

$\frac{5}{8}$ " thick PB based composite panel. Edge banded on all edges with PVC in color matching the door. Hanging rails, stretchers and toe kicks have a 2-dowel application.

2 End Panels

$\frac{5}{8}$ " thick PB based composite panel with matching exterior surfaces. Cabinets will come with matching interior.

3 Top/Bottom Panels

$\frac{5}{8}$ " thick PB based composite panel with matching exposed exterior surfaces. Cabinets will come with matching interior.

4 Hanging Rails

$\frac{5}{8}$ " thick x $4\frac{1}{2}$ " high panel. Hanging rails run the full width of the cabinet. Multiple hanging rails may be included depending on cabinet height/configuration.

5 Back Panel

Nominal 5mm thick MDF Panel with matching interior surface. Back panels are added into case construction and reinforced with glue. Back panels are fully captured on all cabinets.

6 Shelves

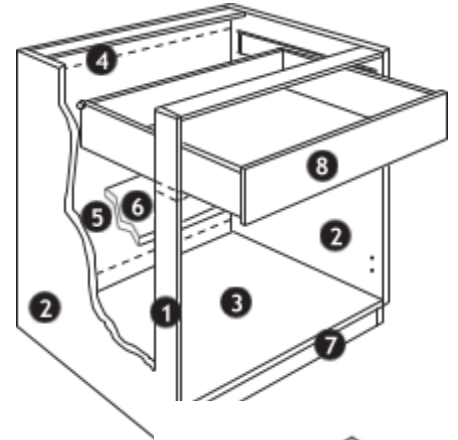
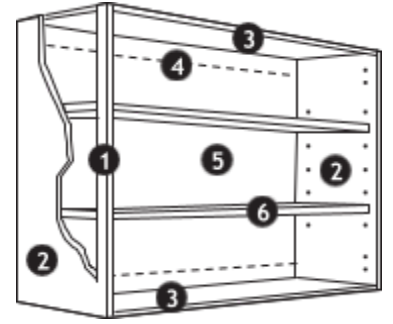
$\frac{5}{8}$ " thick PB based composite panel with matching color on both faces. Shelves are adjustable in all cabinets. Wall, base, 12" deep tall bookcase and vanity cabinets receive $10\frac{1}{2}$ " deep shelves; tall cabinets receive $22\frac{1}{2}$ " deep shelves.

7 Toe Kick

$\frac{5}{8}$ " thick x $4\frac{1}{2}$ " high wood based composite panel captured between end panels. Toe kick is recessed 4".

8 Flat Slab Door Panel

$\frac{3}{4}$ " thick PB based composite panel. Fully edge banded with Italian Machinery



Drawers Choices

Wood Drawer

$\frac{3}{4}$ " thickness fronts with bumpers, Full PB Drawer box with a full extension drawer system (500 mm). Soft-closing feature. Load capacity of 75 lbs. Sides, bottoms, and backs are $\frac{5}{8}$ " thick PB-based composite panels and fully edge banded.

Metal Drawer

$\frac{3}{4}$ " thickness fronts with bumpers, Full metal Drawer box with a full extension drawer system (500 mm). Soft-closing feature. Sides are $\frac{1}{16}$ " thick metal. Drawer bottoms and backs are $\frac{5}{8}$ " thick wood panels with matching the exterior color and matching edge band.

Hinges

Standard: Gentle-Touch (soft-close) hinge - heavy-duty, high-quality steel, concealed 6-way adjustable hinge with soft close resistance.

NOTICE: The product specifications appearing herein supersede and cancel all previous sheets, supplements and addenda, and represent current manufacturing standards and procedures. We reserve the right to make specification changes for continued product improvement.