

## Framed Allwood Plus Construction

### 1 Front Frame

$\frac{3}{4}$ " thick kiln dried solid hardwood. Bore and dowel or pocket screw frame joinery reinforced with glue and nails. Stiles and rails are  $\frac{1}{2}$ " wide. Mullions are 3" wide. Stiles dadoed to receive ends. Rails added to receive tops and bottoms.

### 2 End Panels

**Standard:** Nominal  $\frac{1}{2}$ " (12mm) thick multi-ply hardwood plywood with matching laminate exterior surfaces and hardwood veneer interior surfaces. End panels are inserted into dado in face frame and recessed  $\frac{1}{4}$ ".

**Upgrade:** Nominal  $\frac{1}{2}$ " (12mm) thick multi-ply hardwood plywood with maple veneer on exterior surfaces and hardwood veneer on interior surfaces. All end panels are constructed with the same dado joinery as above and are recessed  $\frac{1}{4}$ ".

### 3 Top/Bottom Panels

Nominal  $\frac{1}{2}$ " (12mm) thick multi-ply hardwood plywood. Tops and bottoms set into grooved end panels and front rails, glued and stapled. Bottoms are supported at rear of base cabinets by nominal  $\frac{1}{2}$ " (12mm) thick multi-ply hardwood plywood.

### 4 Hanging Rails

Constructed from nominal  $\frac{1}{2}$ " (12mm) thick multi-ply hardwood plywood. Hanging rails run the full cabinet width at top for all cabinets; wall cabinets receive an additional hanging rail at the bottom. Hanging rails are captured between end panels and are in front of back panels for all cabinets. Hanging rails are dadoed to capture bottom panels on wall cabinets.

### 5 Back Panel

Nominal  $\frac{1}{4}$ " (6mm) thick hardwood plywood securely glued and stapled to end panels and hanging rails.

### 6 Shelves

Nominal  $\frac{3}{4}$ " (18mm) thick multi-ply hardwood plywood, with hardwood veneer edge band on front edge. Shelves are adjustable in all standard cabinets. Wall and tall cabinets receive full-depth shelves, base and vanity cabinets receive half-depth shelves.

### 7 Toe Kick

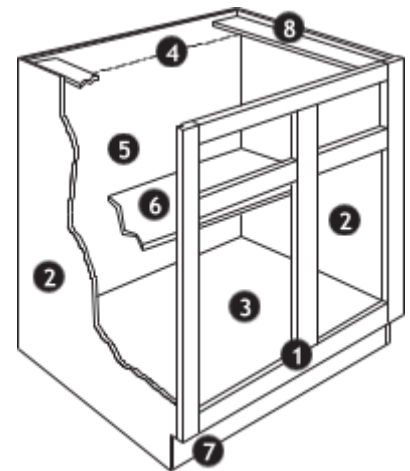
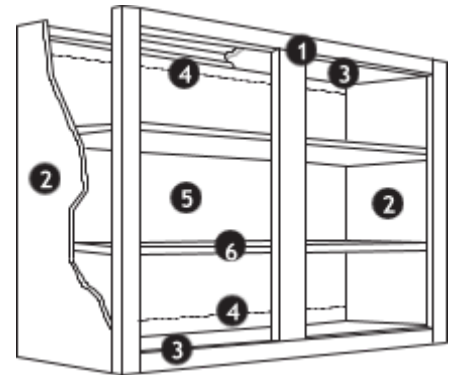
Nominal  $\frac{3}{4}$ " (18mm) thick ACQ\* pressure treated toe board captured between end panels. Toe kick is  $4\frac{1}{2}$ " high and recessed  $3\frac{1}{2}$ ".

**Upgrade:** 3-sided ACQ\* pressure treated toe board attached inside end panels, with same specifications as above.

### 8 Base Corner Braces

Two nominal  $\frac{1}{2}$ " thick (12mm) x  $2\frac{7}{8}$ " wide plywood braces running full-depth front to back of cabinet, recessed down 1" from top. All braces are glued and stapled at top of cabinet

to front frame and hanging rail, and dadoed into end panel. NOTE: Drawings in this manual may not reflect corner braces.



## Drawers

Front, back and sides are  $\frac{5}{8}$ " (16mm) thick hardwood with dovetail construction. Drawer bottoms are a nominal  $\frac{1}{4}$ " (6mm) plywood veneer; bottoms are inserted into dado in front, back and sides.

## Drawer Guides

**Standard:** Guides feature high-quality epoxy coated steel, self-adjusting in mounting brackets. Built-in stop, self-closing and stay-closed features with a 100 lb rated load capacity.

## Hinges

**Standard:** Heavy-duty, high-quality steel, concealed 6-way adjustable hinge with self-closing feature.

